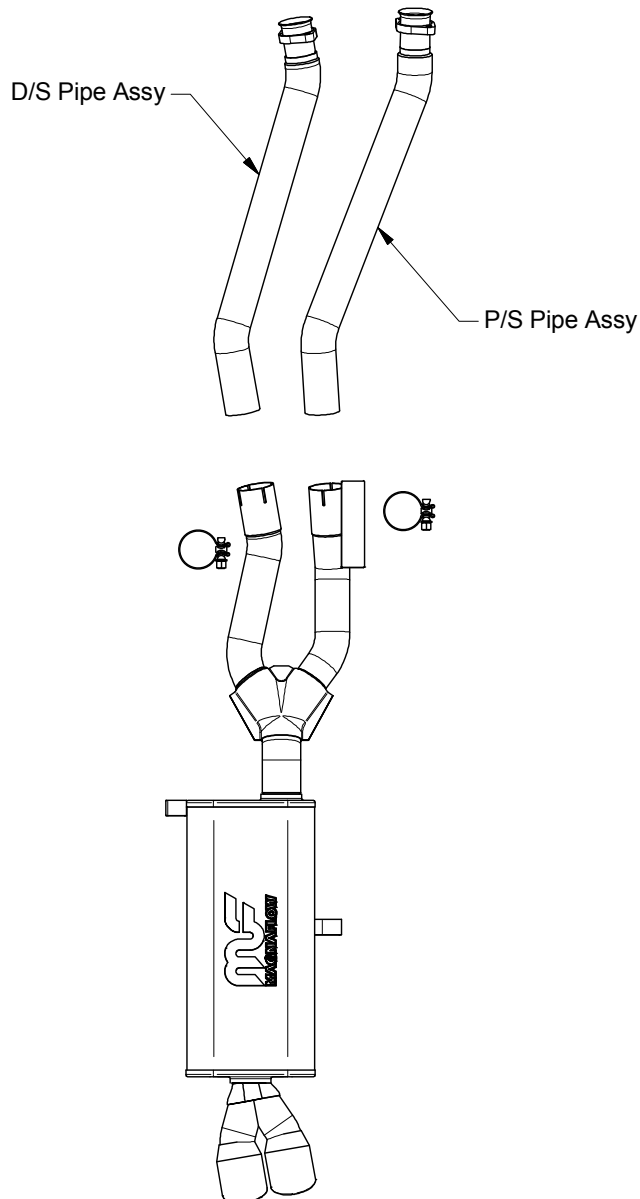


1987 - 1993 BMW 325 3.0L



Warning: When working on, under, or around any vehicle exercise caution. Please allow the vehicle's exhaust system to cool before removal, as exhaust system temperatures may cause severe burns. If working without a lift, always consult vehicle manual for correct lifting specifications. Always wear safety glasses and ensure a safe work area. Serious injury or death could occur if safety measures are not followed.

Step 1: (Carefully read all instructions before installation) Begin removing the OEM exhaust system by first unbolting both clamps attaching the muffler assembly to the catalytic converter outlet pipes. Remove the mounting hardware securing the muffler. Working front to rear remove the system. Be sure to retain and not to damage all mounting hardware as it will be needed to mount your new MAGNAFLOW exhaust system.

Step 2: Install your new system by first loosely bolting the driver and passenger side inlet pipe assemblies to the catalytic converter outlet pipes. Slip the inlet pipes of the muffler assembly over the outlet ends of the two inlet pipe assemblies. Loosely secure using the supplied clamps. Secure all welded hangers to the rubber insulators.

Step 3: With all components mounted loosely, adjust the system for overall aesthetics and clearance of frame & bodywork. (MAGNAFLOW recommends at least 1/2" of clearance between the exhaust system and any body panels to prevent heat-related body damage or fire.)

Step 4: Once a final position has been chosen for the new system, evenly tighten all fasteners from front to rear. The supplied band clamps must be VERY tight to properly align the pipes and prevent leaks (Approximately 40ft-lbs). U-bolt clamps should be tightened to approximately 30-35ft-lbs. Inspect all fasteners after 25-50 miles of operation and retighten if necessary.

**** Magnaflow Performance Exhaust recommends professional installation on all their products**