



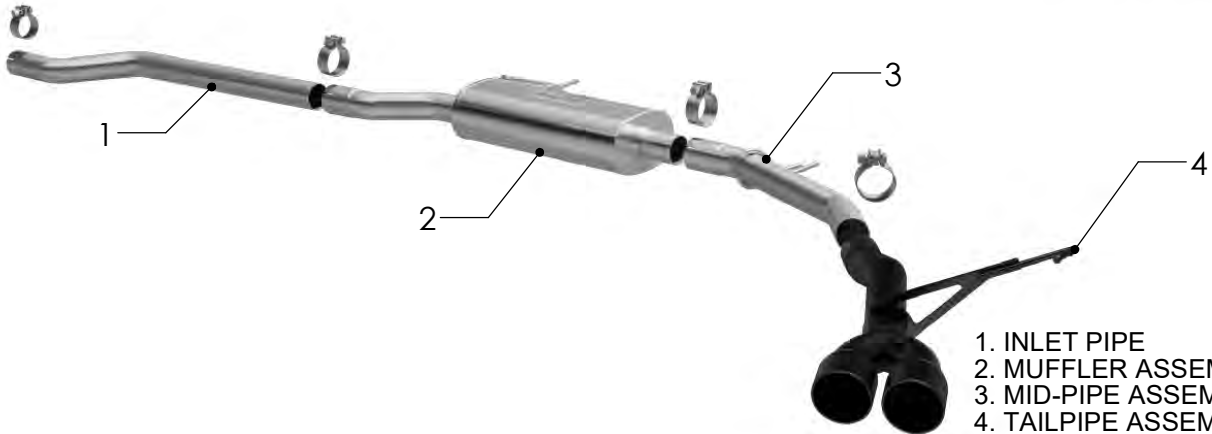
INSTALLATION INSTRUCTIONS



FORD MAVERICK 2.0L

PART NO. 19597

BILL OF MATERIALS:



- 1. INLET PIPE
- 2. MUFFLER ASSEMBLY
- 3. MID-PIPE ASSEMBLY
- 4. TAILPIPE ASSEMBLY



WEAR SAFETY GLASSES



READ INSTRUCTIONS THOROUGHLY BEFORE INSTALLING PRODUCT



SPRAY LUBRICANT

To ease removal of existing exhaust components (especially on older vehicles) spray penetrating lubricant on all fasteners and hangers/insulators that will be loosened or removed and let soak before disassembly.

SHOP SUPPLIES:

HARDWARE KIT:

- 1. [1] 2.36" Band Clamp
- 2. [3] 2.50" Band Clamp
- 3. [1] Hanger Clamp Assy

MINIMUM REQUIRED TOOLS:



Saw/Cutting Device



15mm



Hanger Tool (Or Pry Bar)

MAGNAFLOW RECOMMENDS PROFESSIONAL INSTALLATION ON ALL THEIR PRODUCTS

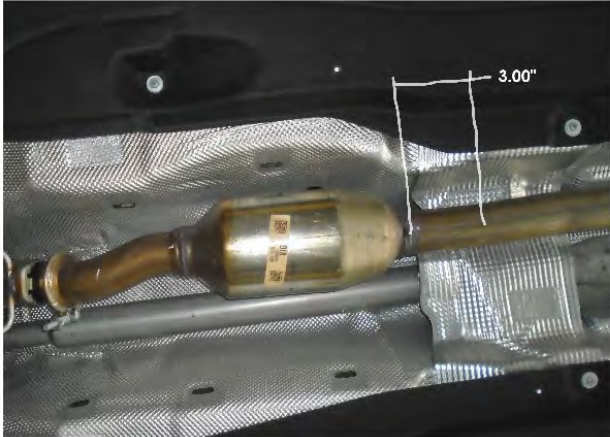


WARNING: When working on, under, or around any vehicle exercise caution. Please allow the vehicle's exhaust system to cool before removal, as exhaust system temperatures may cause severe burns. If working without a lift always consult vehicle manual for correct lifting specifications. Always wear safety glasses and ensure a safe work area. Serious injury or death could occur if safety measures are not followed.

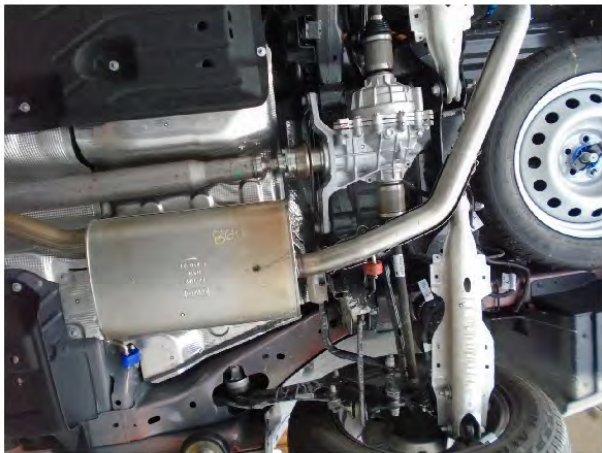
ATTENTION: Always install any supplied band or V-band clamps to the proper torque specifications of 40-45 ft-lbs for band clamps and 70 in-lbs for V-band clamps. Over tightening will result in the clamp breaking and will NOT be warranted by MagnaFlow.

MAGNAFLOW: 1901 Corporate Centre Dr - Oceanside, CA 92056 | 1(800)990-0905
Technical Support: 1(800) 959-9226 | Email: moreinfo@magnaflow.com

INSTALLATION INSTRUCTIONS



Step 1. Begin removal of the OE exhaust system by cutting the OE system 3.00" behind the weld on the rear of the catalytic converter.



Step 2: With the system supported, working front to rear disengage the hangers from rubber insulators and remove the OE system. Do not discard or damage the rubber insulators as they will be used to install the new system.



Step 3: Begin installation of your new MAGNAFLOW system by attaching the Inlet Pipe to the cut outlet of the converter using the supplied 2.36" clamp. Keep all clamps loose until final adjustment.



Step 4: Attach the Muffler Assembly to the Inlet Pipe using the provided 2.50" Clamp. Fit hanger into rubber insulator.



Step 5: Attach the Muffler and Mid-Pipe Assembly using the provided 2.50" Clamps. Fit hangers into rubber insulators.

INSTALLATION INSTRUCTIONS



Step 6: Next loosely install the Tail-Pipe Assembly using the supplied 2.50" clamp. The supplied Hanger Clamp Assy is for the AWD models only. Locate the welded hangers to the rubber insulator.



Step 7: Once a final position has been chosen for the new exhaust system, evenly tighten all clamps from front to rear using the torque specifications on page one of these instructions. Inspect all fasteners after 25-50 miles for operation and re-tighten if necessary.