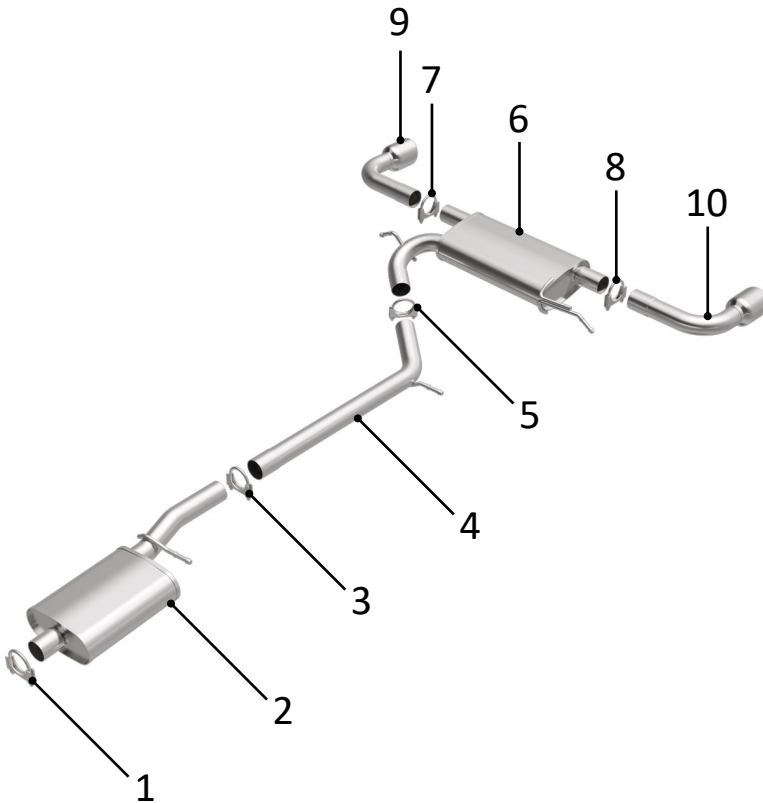


# BRExhaust™

A  MAGNAFLOW GROUP COMPANY

## INSTALLATION INSTRUCTIONS | PART NO. 106-0447



### STEP 1:

(Carefully read all instructions before installation) Disconnect the vehicle's battery before removal of the OEM exhaust system. This will prevent electrical accidents and will reset the computer if it applies to the vehicle. Remove existing exhaust system from the vehicle. Only remove parts that will be replaced. Clean existing flange with a wire brush to ensure proper sealing.

### STEP 2:

Attach **[2] Inlet Resonator Assembly** to existing isolator and exhaust with supplied **[1] Clamp**.

### STEP 3:

Attach **[4] Intermediate Pipe Assembly** to existing isolator and **[2] Inlet Resonator Assembly** with supplied **[3] Clamp**.

### STEP 4:

Attach **[6] Muffler Assembly** to existing isolators and **[4] Intermediate Pipe Assembly** with supplied **[5] Clamp**.

### STEP 5:

Attach passenger side **[9] Tailpipe Assembly** to **[6] Muffler Assembly** with supplied **[7] Clamp**.

### STEP 6:

Attach driver side **[10] Tailpipe Assembly** to **[6] Muffler Assembly** with supplied **[8] Clamp**.

### STEP 7:

Ensure new exhaust is not contacting any portion of the underbody of the vehicle or drivetrain.

### STEP 8:

Tighten all clamps and bolts starting from rear of the vehicle. **(DO NOT EXCEED 30FT-LB WHEN TIGHTENING CLAMP AND CHECK ALL CLAMPS AFTER 50 MILES. RETIGHTEN IF NECESSARY)**

### WARNING:

When working on, under, or around any vehicle exercise caution. Please allow the vehicle's exhaust system to cool before removal, as exhaust temperatures may cause severe burns. If working without a lift, always consult vehicle manual for correct lifting specifications. Always wear safety glasses and ensure a safe work area. Serious injury or death could occur if safety measures are not followed.



**BRExhaust** recommends professional installation for all products

**Technical Support: 1-800-631-7271**

**BRExhaust — 1901 Corporate Ctr, Oceanside, CA 92056**

[www.brexhaust.com](http://www.brexhaust.com)