



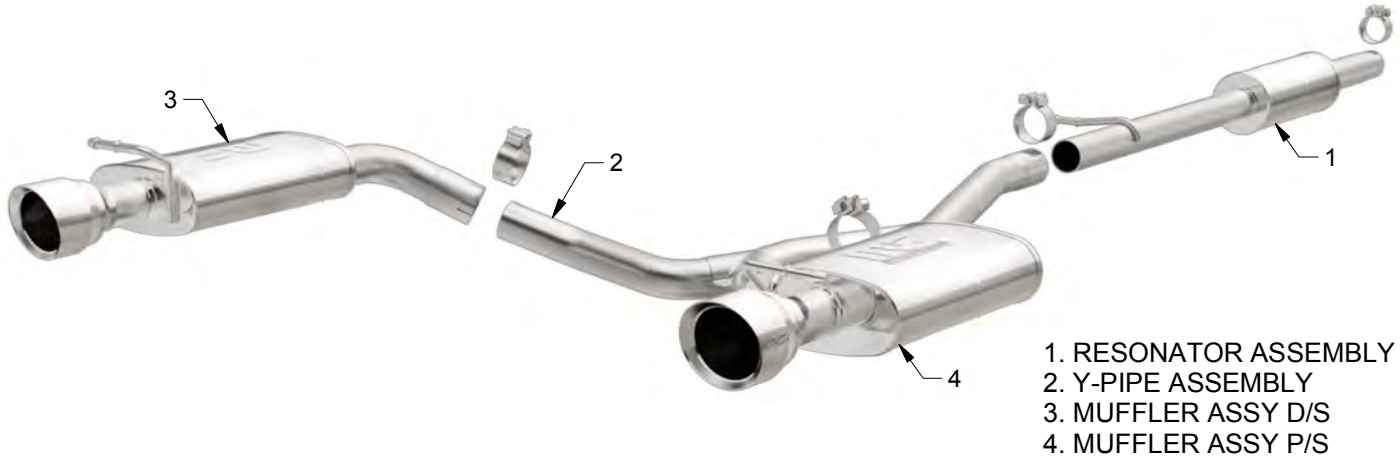
# INSTALLATION INSTRUCTIONS



2016 FORD EXPLORER 3.5L

PART NO. 19274

## BILL OF MATERIALS:



WEAR SAFETY GLASSES



READ INSTRUCTIONS THOROUGHLY BEFORE INSTALLING PRODUCT

## SHOP SUPPLIES:



SPRAY LUBRICANT

To ease removal of existing exhaust components (especially on older vehicles) spray penetrating lubricant on all fasteners and hangers/insulators that will be loosened or removed and let soak before disassembly.

## HARDWARE KIT:

- 1.[1] 2.25" Clamp
- 2.[3] 2.50" Clamp

## MINIMUM REQUIRED TOOLS:



15mm



Hanger Tool (Or Pry Bar)

## MAGNAFLOW RECOMMENDS PROFESSIONAL INSTALLATION ON ALL THEIR PRODUCTS



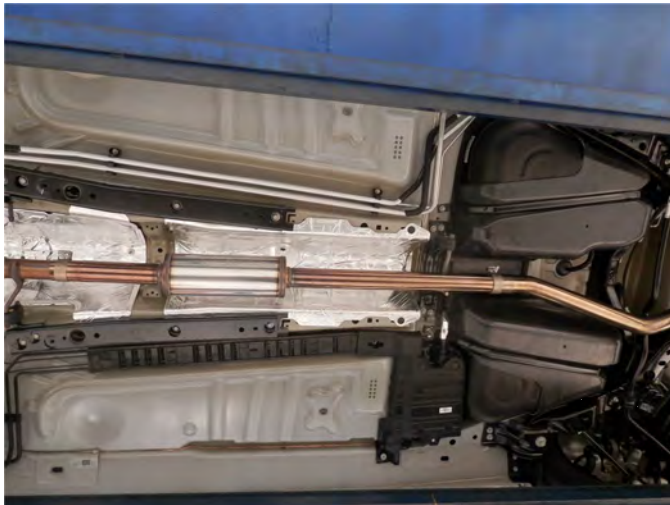
**WARNING:** When working on, under, or around any vehicle exercise caution. Please allow the vehicle's exhaust system to cool before removal, as exhaust system temperatures may cause severe burns. If working without a lift always consult vehicle manual for correct lifting specifications. Always wear safety glasses and ensure a safe work area. Serious injury or death could occur if safety measures are not followed.

**ATTENTION:** Always install any supplied band or U-bolt clamps to the proper torque specifications of 40-45 ft-lbs for band clamps and 30-35 ft-lbs for U-bolt clamps. Over tightening will result in the clamp breaking and will NOT be warranted by MagnaFlow.

## X INSTALLATION INSTRUCTIONS



**Step 1.** To remove the OEM exhaust system loosen the clamp fastening the inlet pipe to the Catalytic Converter outlet. Working front to rear disengage all welded hangers from the rubber insulators and remove the system. Do not discard the or damage the rubber insulators as they will be used to mount the new system.



**Step 2.** Begin installation of the new system by fastening the Resonator Assembly inlet to the outlet of the catalytic converter using the supplied 2.25" band clamp. Please be sure to align the locating peg with the notch in the pipe. Leave all clamps loose for the final adjustment of the complete system.



**Step 3.** Next loosely attach the Y-Pipe Assembly and both Muffler Assemblies using the supplied 2.50" clamps. Engage all welded hangers to the rubber insulators.



**Step 4.** Once a final position has been chosen for the new exhaust system, evenly tighten all clamps from front to rear using the torque specifications on page one of the instructions. Inspect all fasteners after 25-50 miles of operation and re-tighten if necessary.