



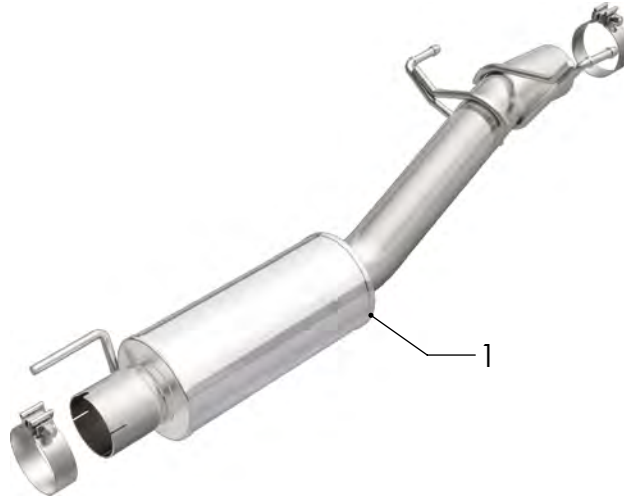
INSTALLATION INSTRUCTIONS



2019 RAM 1500 5.7L

PART NO. 19493

BILL OF MATERIALS:



1. MUFFLER ASSEMBLY



WEAR SAFETY GLASSES



READ INSTRUCTIONS THOROUGHLY BEFORE INSTALLING PRODUCT



SPRAY LUBRICANT

To ease removal of existing exhaust components (especially on older vehicles) spray penetrating lubricant on all fasteners and hangers/insulators that will be loosened or removed and let soak before disassembly.

HARDWARE KIT:

1.[2] 3.50" Band Clamp

MINIMUM REQUIRED TOOLS:



15mm



Hanger Tool (Or Pry Bar)

MAGNAFLOW RECOMMENDS PROFESSIONAL INSTALLATION ON ALL THEIR PRODUCTS



WARNING: When working on, under, or around any vehicle exercise caution. Please allow the vehicle's exhaust system to cool before removal, as exhaust system temperatures may cause severe burns. If working without a lift always consult vehicle manual for correct lifting specifications. Always wear safety glasses and ensure a safe work area. Serious injury or death could occur if safety measures are not followed.

ATTENTION: Always install any supplied band or V-band clamps to the proper torque specifications of 40-45 ft-lbs for band clamps and 70 in-lbs for V-band clamps. Over tightening will result in the clamp breaking and will NOT be warranted by MagnaFlow.

MAGNAFLOW: 1901 Corporate Centre Dr - Oceanside, CA 92056 | 1(800)990-0905

Technical Support: 1(800) 959-9226 | Email: moreinfo@magnaflow.com

INSTALLATION INSTRUCTIONS



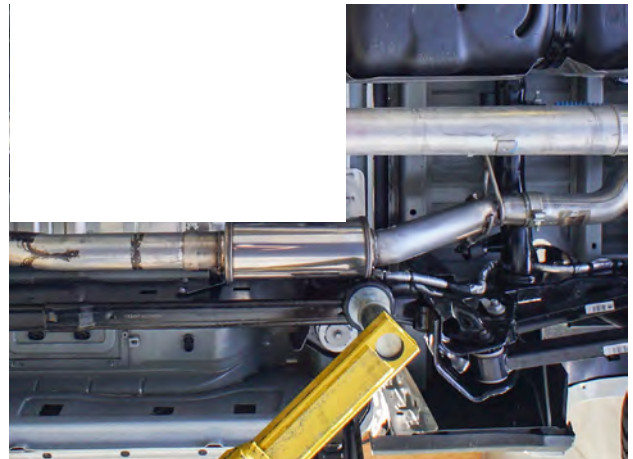
Step 1: Begin removal of the OE muffler by loosening the two clamps attaching the oe Muffler Assembly. Disengage the hangers from the rubber insulators and remove the muffler. Do not discard or damage the rubber insulators or rear clamp as they will be used to install the new system.



Step 2: To install the MagnaFlow Muffler Assembly slide the inlet onto the OE outlet making sure to align the slot with the peg on the outlet pipe. Secure with the supplied 3.50" clamp.



Step 3: insert the welded hangers into the rubber insulators



Step 4: Finish by fitting the OE tailpipe onto the Muffler Assembly with the supplied 3.50" clamp. Once a final position has been chosen for the new exhaust system, evenly tighten all clamps from front to rear using the torque specifications on page one of these instructions. Inspect all fasteners after 25-50 miles for operation and re-tighten if necessary.