



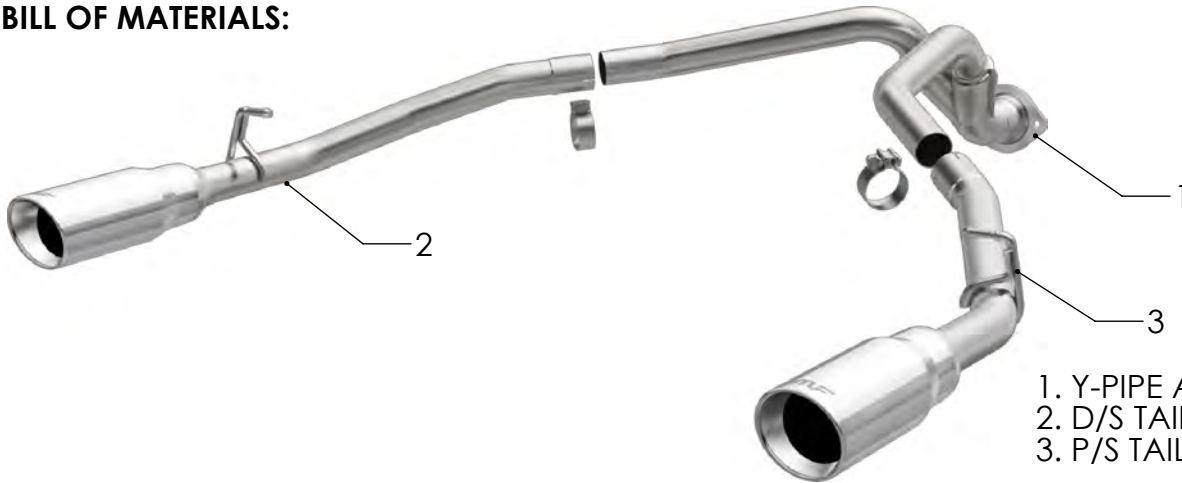
# INSTALLATION INSTRUCTIONS



2020 RAM 1500 3.0L

PART NO. 19508

## BILL OF MATERIALS:



- 1. Y-PIPE ASSY.
- 2. D/S TAIL PIPE ASSY.
- 3. P/S TAIL PIPE ASSY.



WEAR SAFETY GLASSES



READ INSTRUCTIONS THOROUGHLY BEFORE INSTALLING PRODUCT



SPRAY LUBRICANT

To ease removal of existing exhaust components (especially on older vehicles) spray penetrating lubricant on all fasteners and hangers/insulators that will be loosened or removed and let soak before disassembly.

## HARDWARE KIT:

- 1. [2] 2.50" Torca Clamp

## MINIMUM REQUIRED TOOLS:



13, 15 mm



Hanger Tool (Or Pry Bar)

## MAGNAFLOW RECOMMENDS PROFESSIONAL INSTALLATION ON ALL THEIR PRODUCTS



**WARNING:** When working on, under, or around any vehicle exercise caution. Please allow the vehicle's exhaust system to cool before removal, as exhaust system temperatures may cause severe burns. If working without a lift always consult vehicle manual for correct lifting specifications. Always wear safety glasses and ensure a safe work area. Serious injury or death could occur if safety measures are not followed.

**ATTENTION:** Always install any supplied band or U-bolt clamps to the proper torque specifications of 40-45 ft-lb for band clamps and 30-35 ft-lb for U-bolt clamps. Over tightening will result in the clamps breaking and will NOT be warranted by MagnaFlow.

MAGNAFLOW: 1901 Corporate Centre Dr - Oceanside, CA 92056 | 1(800)990-0905

Technical Support: 1(800) 959-9226 | Email: moreinfo@magnaflow.com

## INSTALLATION INSTRUCTIONS



Step 1: To remove the OEM exhaust system unfasten the flange in front of the Y-Pipe and the band clamp behind the "Y". Working front to rear disengage the Tailpipe welded hangers from the rubber insulators and remove the system. (Retain the insulators as they will be needed to mount the new MagnaFlow system.)



Step 2: Install the new system by attaching the Y-Pipe Assembly to the outlet of the valve mid pipe.



Step 3: Install the passenger and driver side tailpipes using the supplied 2.50 clamps and fit the welded hangers to the rubber insulators. Leave all clamps loose for final adjustment of the complete system once installed.

## INSTALLATION INSTRUCTIONS



Step 5: Once a final position has been chosen for the new exhaust system, evenly tighten all clamps from front to rear using the torque specifications on page one of the instructions. Inspect all fasteners after 25-50 miles of operation and re-tighten if necessary.