



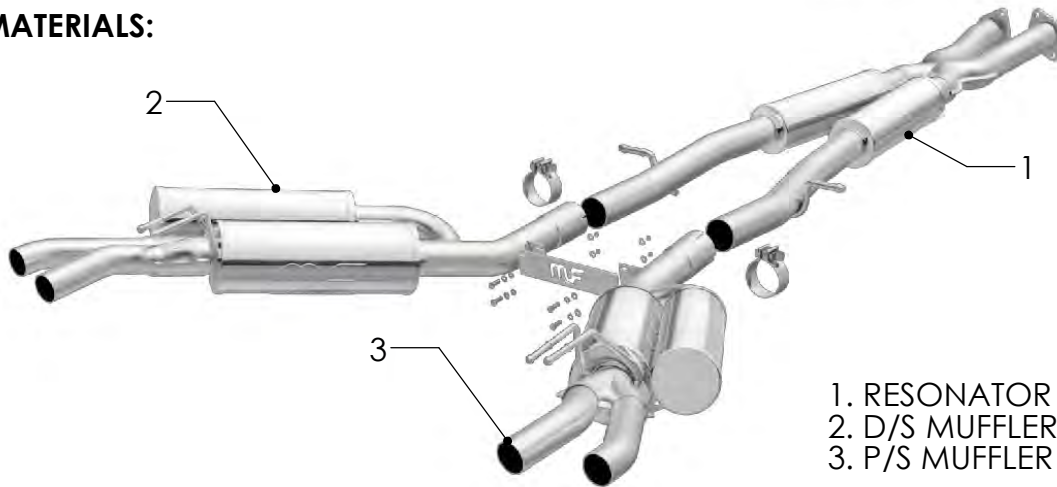
# INSTALLATION INSTRUCTIONS



2018 KIA STINGER 3.3L

PART NO. 19406

## BILL OF MATERIALS:



- 1. RESONATOR ASSEMBLY
- 2. D/S MUFFLER ASSEMBLY
- 3. P/S MUFFLER ASSEMBLY



WEAR SAFETY GLASSES



READ INSTRUCTIONS THOROUGHLY BEFORE INSTALLING PRODUCT



SPRAY LUBRICANT

To ease removal of existing exhaust components (especially on older vehicles) spray penetrating lubricant on all fasteners and hangers/insulators that will be loosened or removed and let soak before disassembly.

## SHOP SUPPLIES:

### HARDWARE KIT:

- 1) [2] 2.50" Band Clamp
- 2) [4] 1/4-20 Hex Bolt
- 3) [4] 1/4-20 Hex Nut
- 4) [4] 1/4-20 Lock Washer
- 5) [8] 1/4-20 Flat washer
- 6) [1] MF Logo Brace

## MINIMUM REQUIRED TOOLS:



15mm



Hanger Tool (Or Pry Bar)

## MAGNAFLOW RECOMMENDS PROFESSIONAL INSTALLATION ON ALL THEIR PRODUCTS



**WARNING:** When working on, under, or around any vehicle exercise caution. Please allow the vehicle's exhaust system to cool before removal, as exhaust system temperatures may cause severe burns. If working without a lift always consult vehicle manual for correct lifting specifications. Always wear safety glasses and ensure a safe work area. Serious injury or death could occur if safety measures are not followed.

**ATTENTION:** Always install any supplied band or V-band clamps to the proper torque specifications of 40-45 ft-lbs for band clamps and 70 in-lbs for V-band clamps. Over tightening will result in the clamp breaking and will NOT be warranted by MagnaFlow.

**MAGNAFLOW:** 1901 Corporate Centre Dr - Oceanside, CA 92056 | 1(800)990-0905  
**Technical Support:** 1(800) 959-9226 | Email: [moreinfo@magnaflow.com](mailto:moreinfo@magnaflow.com)

## INSTALLATION INSTRUCTIONS



**Step 1.** To extract the OEM exhaust system you will first need to remove the brace located in front of the factory resonator. Next un-fasten the flanges located behind the catalytic converters and resonator and disengage all welded hangers from the rubber insulators. Do not damage or discard the rubber insulators or fasteners as they will be re-used to mount the new system. You can now remove the exhaust from the vehicle.



**Step 2:** Begin installation of the new system by fastening the Resonator Assembly inlets to the catalytic converter using the OEM fasteners (Leave all clamps and fasteners loose for final adjustment of the complete system.)



**Step 3:** Next Install the Muffler Assemblies to the outlets of the Resonator Assembly using the supplied 2.50" clamps. Insert hangers into rubber insulators. At this time loosely attach the Magnaflow logo brace to tie the muffler assemblies together using the supplied fasteners.

## INSTALLATION INSTRUCTIONS



**Step 4:** Once a final position has been chosen for the new exhaust system, evenly tighten all clamps from front to rear using the torque specifications on page one of these instructions. Tighten fasteners for Muffler brace and install factory underbody brace. Inspect all fasteners after 25-50 miles for operation and re-tighten if necessary.