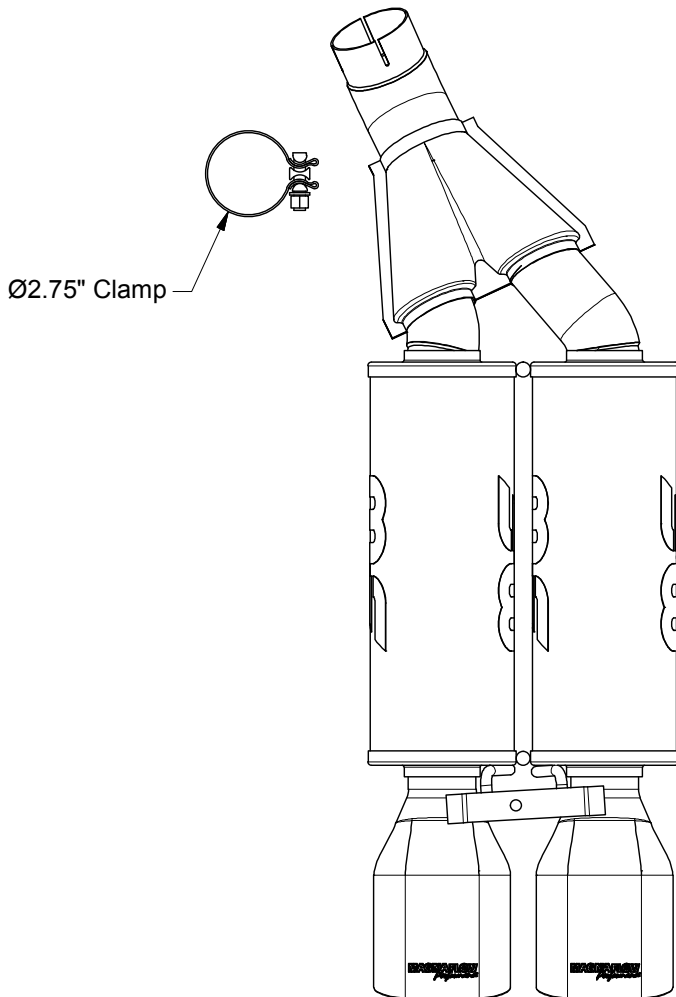


2005 - 2006 Chrysler Crossfire SRT-6 3.2L



Warning: When working on, under, or around any vehicle exercise caution. Please allow the vehicle's exhaust system to cool before removal, as exhaust system temperatures may cause severe burns. If working without a lift, always consult vehicle manual for correct lifting specifications. Always wear safety glasses and ensure a safe work area. Serious injury or death could occur if safety measures are not followed.

Step 1: (Carefully read all instructions before installation) Remove the rear OEM Tip/Muffler Assembly by loosening the clamp behind the mid muffler. Remove the hanger assembly from the rubber mounting hardware. You are now ready to install your new MAGNAFLOW performance exhaust system.

Step 2: Begin installation by loosely attaching the inlet pipe over the OEM mid muffler outlet using the supplied 2.75" clamp. Locate the hanger assembly to the OEM rubber mounting hardware.

Step 3: With all components mounted loosely, adjust the system for overall aesthetics and clearance of frame & bodywork. (MAGNAFLOW recommends at least 1/2" of clearance between the exhaust system and any body panels to prevent heat-related body damage or fire.)

Step 4: Once a final position has been chosen for the new system, evenly tighten all fasteners from front to rear. The supplied band clamps must be VERY tight to properly align the pipes and prevent leaks (Approximately 40ft-lbs). U-bolt clamps should be tightened to approximately 30-35ft-lbs. Inspect all fasteners after 25-50 miles of operation and retighten if necessary.

**** Magnaflow Performance Exhaust recommends professional installation on all their products**