

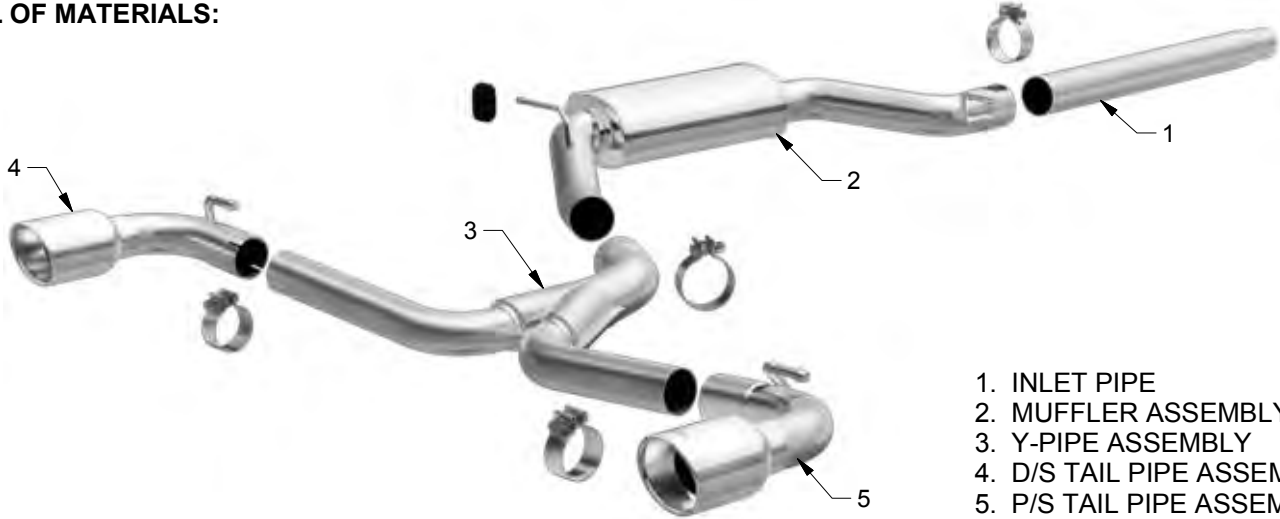


# INSTALLATION INSTRUCTIONS



2018 VOLKSWAGEN GTI L4 2.0L | PART NO. 19435

### BILL OF MATERIALS:



- 1. INLET PIPE
- 2. MUFFLER ASSEMBLY
- 3. Y-PIPE ASSEMBLY
- 4. D/S TAIL PIPE ASSEMBLY
- 5. P/S TAIL PIPE ASSEMBLY



WEAR SAFETY GLASSES



READ INSTRUCTIONS THOROUGHLY BEFORE INSTALLING PRODUCT

### SHOP SUPPLIES:



SPRAY LUBRICANT

To ease removal of existing exhaust components (especially on older vehicles) spray penetrating lubricant on all fasteners and hangers/insulators that will be loosened or removed and let soak before disassembly.

### HARDWARE KIT:

- 1. [2] 3.00" Clamp
- 2. [2] 2.50 Clamp
- 3. [1] Rubber Insulator

### MINIMUM REQUIRED TOOLS:



15mm



Hanger Tool (Or Pry Bar)

## MAGNAFLOW RECOMMENDS PROFESSIONAL INSTALLATION ON ALL THEIR PRODUCTS



**WARNING:** When working on, under, or around any vehicle exercise caution. Please allow the vehicle's exhaust system to cool before removal, as exhaust system temperatures may cause severe burns. If working without a lift always consult vehicle manual for correct lifting specifications. Always wear safety glasses and ensure a safe work area. Serious injury or death could occur if safety measures are not followed.

**ATTENTION:** Always install any supplied band or U-bolt clamps to the proper torque specifications of 40-45 ft-lbs for band clamps and 30-35 ft-lbs for U-bolt clamps. Over tightening will result in the clamp breaking and will NOT be warranted by MagnaFlow.

## INSTALLATION INSTRUCTIONS



**Step 1.** Begin by loosening the factory clamp located just behind the catalytic converter. Working rearward extract the hangers from the rubber insulators (retain insulators as they will be used in the installation of the new exhaust system). Remove the OEM system from the vehicle.



**Step 2.** Begin installing the new system by inserting the inlet of the Inlet Pipe into the OEM clamp at the catalytic converter. Leave clamp loose for final adjustment.



**Step 3.** Next attach the Muffler Assembly to the Inlet Pipe using the supplied 3.00" clamp and by fitting the hangers into the rubber insulators. Use the supplied Rubber Insulator for the welded hanger rearward of the muffler if applicable.



**Step 4.** Next attach the Y-Pipe Assembly to the Muffler Assembly using the supplied 3.00" clamp. Install the two Tail Pipe Assemblies in a similar fashion using the supplied 2.50" clamps. Locate the welded hangers to the rubber insulators.



**Step 5.** Once a final position has been chosen for the new exhaust system, evenly tighten all clamps from front to rear using the torque specifications on page one of the instructions. Inspect all fasteners after 25-50 miles of operation and re-tighten if necessary.