

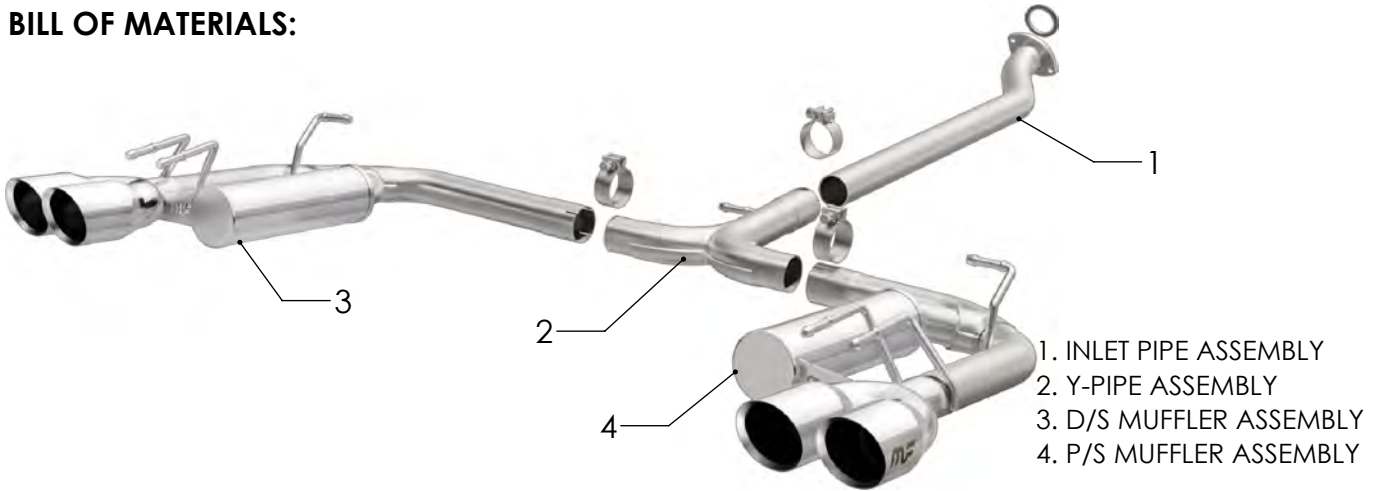


INSTALLATION INSTRUCTIONS



2018 TOYOTA CAMRY XSE 2.5L | PART NO. 19494

BILL OF MATERIALS:



WEAR SAFETY GLASSES



READ INSTRUCTIONS THOROUGHLY BEFORE INSTALLING PRODUCT



SPRAY LUBRICANT

To ease removal of existing exhaust components (especially on older vehicles) spray penetrating lubricant on all fasteners and hangers/insulators that will be loosened or removed and let soak before disassembly.

HARDWARE KIT:

- 1.[3] 2.50" Clamp
- 2.[1] Gasket

MINIMUM REQUIRED TOOLS:



13mm, 15 mm



Hanger Tool (Or Pry Bar)

MAGNAFLOW RECOMMENDS PROFESSIONAL INSTALLATION ON ALL THEIR PRODUCTS



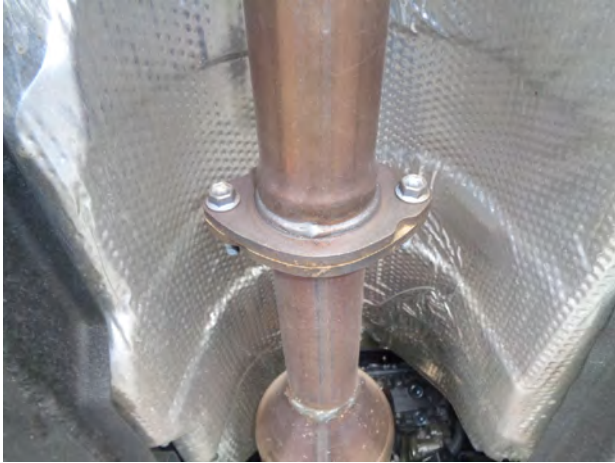
WARNING: When working on, under, or around any vehicle exercise caution. Please allow the vehicle's exhaust system to cool before removal, as exhaust system temperatures may cause severe burns. If working without a lift always consult vehicle manual for correct lifting specifications. Always wear safety glasses and ensure a safe work area. Serious injury or death could occur if safety measures are not followed.

ATTENTION: Always install any supplied band or U-bolt clamps to the proper torque specifications of 40-45 ft-lb for band clamps and 30-35 ft-lb for U-bolt clamps. Over tightening will result in the clamps breaking and will NOT be warranted by MagnaFlow.

MAGNAFLOW: 1901 Corporate Centre Dr - Oceanside, CA 92056 | 1(800)990-0905

Technical Support: 1(800) 959-9226 | Email: moreinfo@magnaflow.com

INSTALLATION INSTRUCTIONS



Step 1. To remove the OE exhaust system begin by unfastening the 2 bolt flange, working front to rear, (with the exhaust supported) disengage the hangers from the rubber insulators and remove the exhaust. Do not damage the rubber insulators and retain the front flange hardware as they will be used to install the new exhaust system.

Step 2. Begin installation of the MagnaFlow system by attaching the Inlet Pipe Assembly to the outlet of the catalytic converter using the OE fasteners. Next, attach the Y-Pipe Assembly using the supplied 2.50" clamp and engaging the hanger into the rubber insulators. (Leave all clamp and fasteners loose for final adjustment of the complete system.)

INSTALLATION INSTRUCTIONS



Step 3. Complete the installation by attaching the Muffler Assemblies to the Y-Pipe using the supplied 2.50" clamps. Engage the hangers into OE rubber insulators.



Step 4. Once a final position has been chosen for the new exhaust system, evenly tighten all clamps and fasteners, from front to rear, using the torque specifications on page one of the instructions. Inspect all fasteners after 25-50 miles of operation and re-tighten if necessary.