

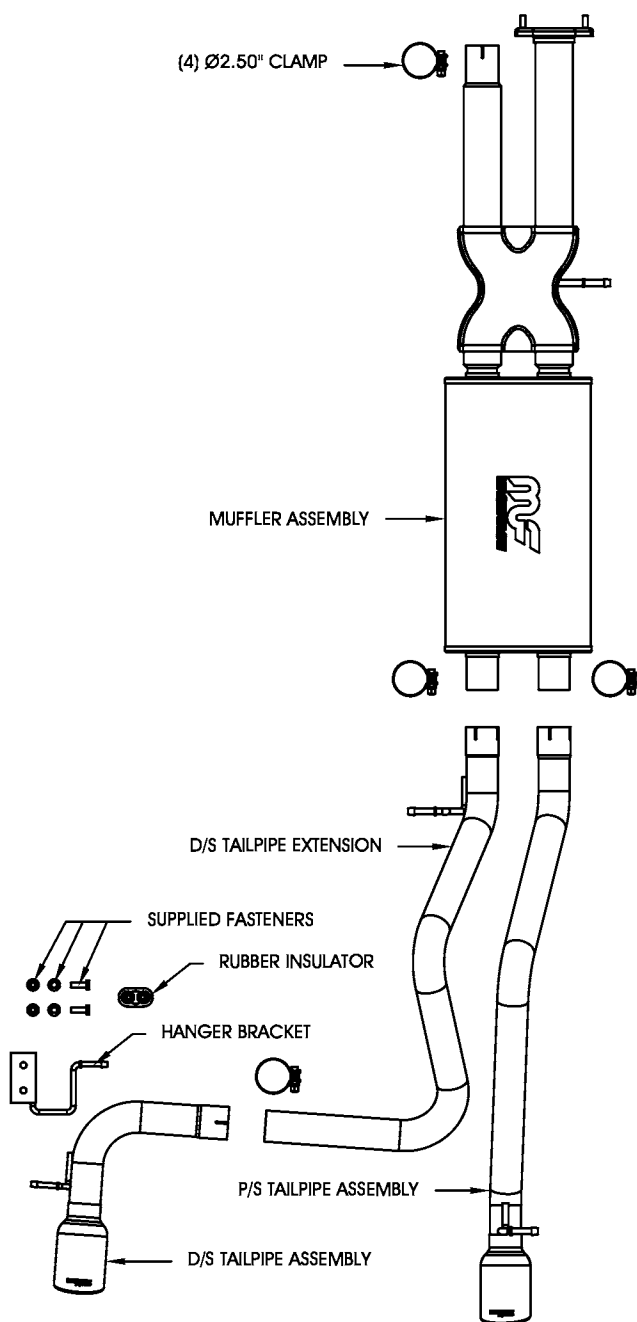
2003-2006 GM HUMMER H2 6.0L V8 DUAL SPLIT REAR EXIT EXCLUDING REAR AIR SUSPENSION WITH DUAL COMPRESSORS

Warning: When working on, under, or around any vehicle exercise caution. Please allow the vehicle's exhaust system to cool before removal, as exhaust system temperatures may cause severe burns. If working without a lift, always consult vehicle manual for correct lifting specifications. Always wear safety glasses and ensure a safe work area. Serious injury or death could occur if safety measures are not followed.

Note: MAGNAFLOW Performance dual exit truck systems are designed to fit stock-height vehicles with OEM hitches and spare wheel and tire combos. Vehicles with aftermarket components such as trailer hitches, larger spare wheel and tire, or ride height changes may require modification of the exhaust system for a proper fit and finish.

Step 1: (Carefully read all instructions before installation) Disconnect the vehicle's battery before removal of the OEM exhaust. This will allow the computer to reset itself with the new system, and prevent electrical accidents. To remove the OEM exhaust system, you may need to cut the tail pipe to aid in removal. Unbolt the passenger side front muffler extension pipe from the catalytic converter extension at the 2-bolt flange. Unfasten the driver side front muffler extension pipe from the catalytic converter extension at the 2.50" clamp. Remove the exhaust from the OEM rubber insulators. Do not discard or damage the OEM rubber insulators, as they will be re-used to mount the new exhaust system.

Step 2: Install the new muffler assembly at the 2-bolt flange using the OEM fasteners and inlet pipe using the supplied clamp, and by fitting the welded hanger into the rubber insulator. Leave all clamps and fasteners loose for final adjustment of the complete system. Working rearward, install the muffler, extension pipe, and tailpipes using the supplied hardware as shown in the system diagram. A hanger bracket and mounting fasteners are supplied to hang the driver's side tailpipe from a pre-drilled hole in the frame as shown in Diagram 2.



*MAGNAFLOW Performance Exhaust recommends professional installation on all their products

2003-2006 GM HUMMER H2 6.0L V8 DUAL SPLIT REAR EXIT EXCLUDING REAR AIR SUSPENSION WITH DUAL COMPRESSORS



DIAGRAM 2

Warning: When working on, under, or around any vehicle exercise caution. Please allow the vehicle's exhaust system to cool before removal, as exhaust system temperatures may cause severe burns. If working without a lift, always consult vehicle manual for correct lifting specifications. Always wear safety glasses and ensure a safe work area. Serious injury or death could occur if safety measures are not followed.

Note: MAGNAFLOW Performance dual exit truck systems are designed to fit stock-height vehicles with OEM hitches and spare wheel and tire combos. Vehicles with aftermarket components such as trailer hitches, larger spare wheel and tire, or ride height changes may require modification of the exhaust system for a proper fit and finish.

Step 3: With all components mounted loosely, adjust the system for overall aesthetics and clearance of frame & bodywork. (MAGNAFLOW recommends at least 1/2" of clearance between the exhaust system and any body panels to prevent heat-related body damage or fire.)

Step 4: Once a final position has been chosen for the new system, evenly tighten all fasteners from front to rear. The supplied band clamps must be VERY tight to properly align the pipes and prevent leaks (Approximately 40ft-lbs). Inspect all fasteners after 25-50 miles of operation and retighten if necessary.