

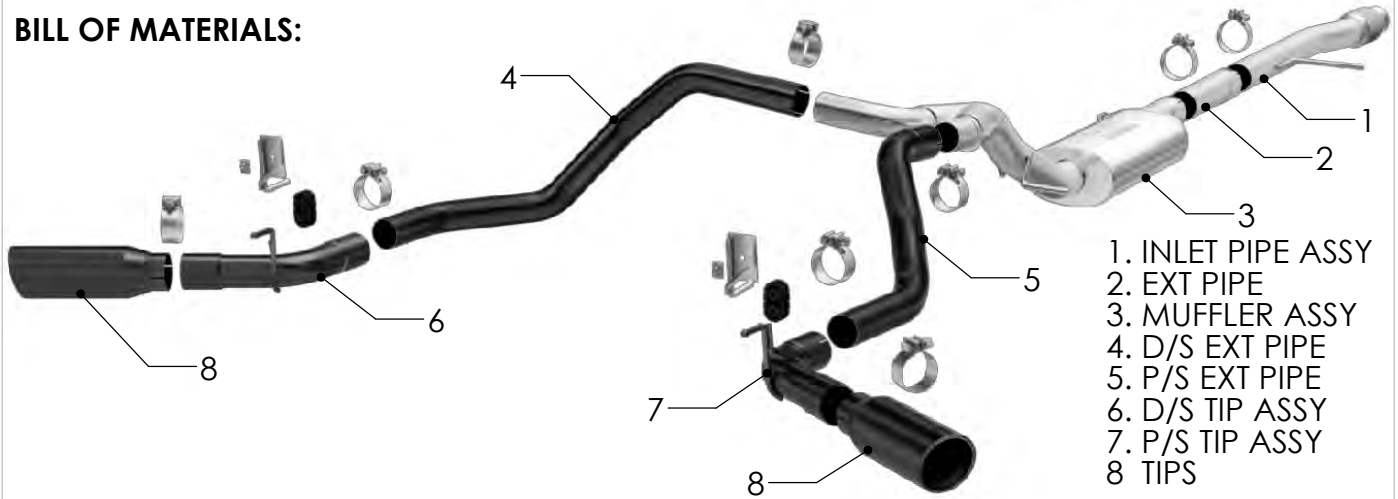


INSTALLATION INSTRUCTIONS



2019 Silverado/Sierra 1500 4.3L/5.3L | PART NO. 19474

BILL OF MATERIALS:



WEAR SAFETY GLASSES



READ INSTRUCTIONS THOROUGHLY BEFORE INSTALLING PRODUCT



SHOP SUPPLIES:

To ease removal of existing exhaust components (especially on older vehicles) spray penetrating lubricant on all fasteners and hangers/insulators that will be loosened or removed and let soak before disassembly.

HARDWARE KIT:

1. [3] 3.00" Clamp
2. [2] 2.50" Clamp
3. [2] 2.75" Clamp
4. [2] Hanger Assy
5. [2] Rubber Insulator
6. [2] M12 U-Nut
7. [2] M12 Bolt

MINIMUM REQUIRED TOOLS:



15 mm



Hanger Tool (Or Pry Bar)

MAGNAFLOW RECOMMENDS PROFESSIONAL INSTALLATION ON ALL THEIR PRODUCTS

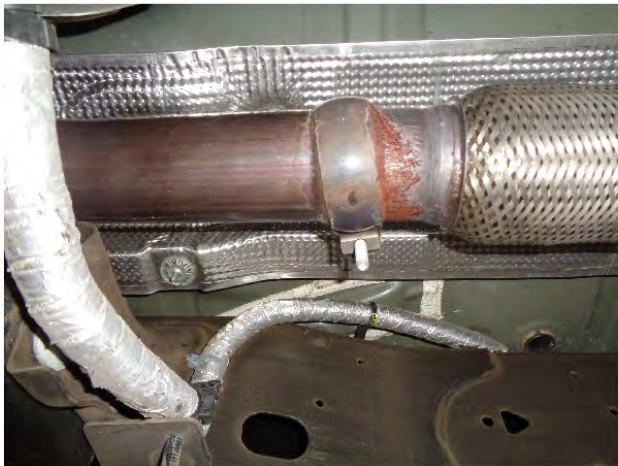


WARNING: When working on, under, or around any vehicle exercise caution. Please allow the vehicle's exhaust system to cool before removal, as exhaust system temperatures may cause severe burns. If working without a lift always consult vehicle manual for correct lifting specifications. Always wear safety glasses and ensure a safe work area. Serious injury or death could occur if safety measures are not followed.

ATTENTION: Always install any supplied band or U-bolt clamps to the proper torque specifications of 40-45 ft-lb for band clamps and 30-35 ft-lb for U-bolt clamps. Over tightening will result in the clamps breaking and will NOT be warranted by MagnaFlow.

MAGNAFLOW: 1901 Corporate Centre Dr - Oceanside, CA 92056 | 1(800)990-0905
Technical Support: 1(800) 959-9226 | Email: moreinfo@magnaflow.com

INSTALLATION INSTRUCTIONS



Step 1. To remove the OEM exhaust system, you will need to cut between the muffler and the Y junction where it goes over the axle. You can then disengage the welded hangers from the rubber insulators and remove the tailpipe assembly. Unfasten the clamp attaching the OEM inlet pipe assembly to the catalytic converter. Do not damage or discard the inlet pipe clamp or rubber insulators as they will be re-used to mount the new system. Disengage the inlet pipe assembly hanger and remove the exhaust from the vehicle.



Step 2. To begin, fasten the Inlet pipe assembly to the outlet of the OE system using the OE clamp assembly and by fitting the welded hanger into the rubber insulator (Leave all clamps and fasteners loose for final adjustment of the complete system.)



Step 3. Only the Crew Cab Long Bed configuration will require the supplied 12.5 Extension Pipe, Install this to the Inlet Pipe Assembly if required using the supplied 3.00" clamp then attach the Muffler Assembly to the Extension Pipe. If the 12.5" Extension Pipe isn't used attach the Muffler Assembly directly to the Inlet Assembly with a supplied 3.00" clamp.

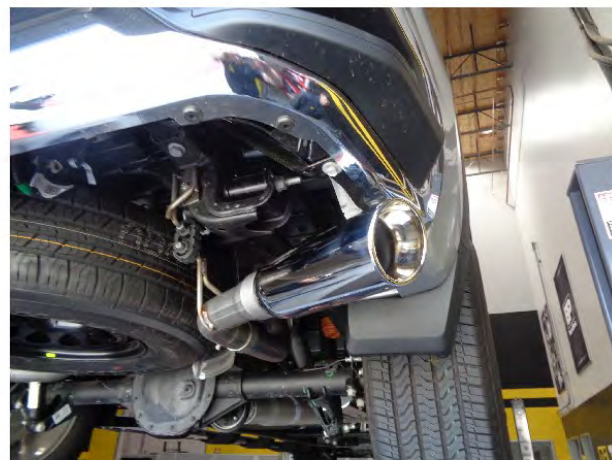
INSTALLATION INSTRUCTIONS



Step 4. Next loosely attach the Driver and Passenger side Extension Pipes to the Muffler Assembly using the supplied 2.50" clamps.



Step 5. from the factory, hanger brackets will need to be installed. Install the hanger brackets on the rear frame section using the supplied fastener hardware as shown



Step 6. Using the supplied rubber insulators install the Tailpipe Assemblies to the Extension pipes fitting the hangers into the installed hanger brackets.

Finish by attaching the Tips using the supplied 2.75" clamps. Tips can be adjusted to fit a variety of bumpers.



Step 7. Once a final position has been chosen for the new exhaust system, evenly tighten all clamps from front to rear using the torque specifications on page one of the instructions. Inspect all fasteners after 25-50 miles of operation and re-tighten if necessary.