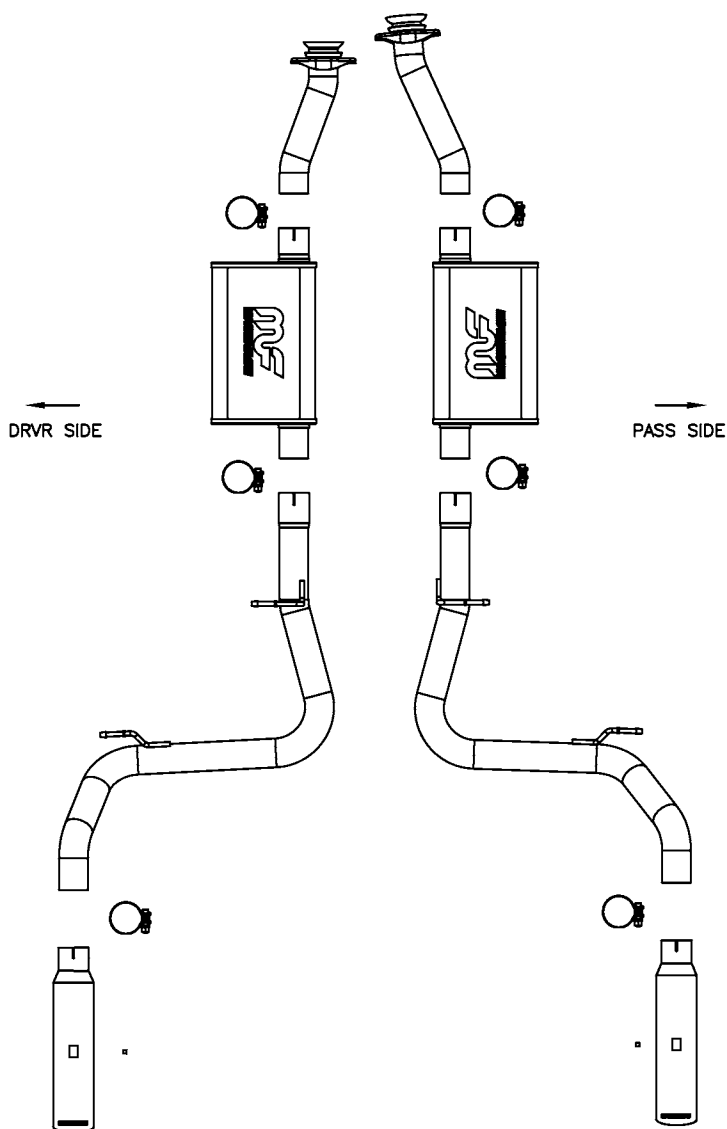


1999-2004 FORD MUSTANG COBRA - V8 4.6L (INDEPENDENT REAR SUSPENSION)

NOTE: MAGNAFLOW Performance exhaust systems are designed for a correct fit on vehicles with OEM components. Aftermarket accessories such as headers, and/or crossover assemblies (H-Pipe / X-Pipe) may not fit like the OEM components, and may require fabrication for proper fit of your MAGNAFLOW system.

Warning: When working on under or around any vehicle exercise caution. Please allow the vehicle's exhaust system to cool before removal, as exhaust system temperatures may cause severe burns. If working without a lift, always consult vehicle manual for correct lifting specifications. Always wear safety glasses and ensure safe work area. Serious injury or death could occur if safety measures are not followed.



Step 1: (Carefully read all instructions before installation)

To remove the OEM exhaust system, unbolt the muffler extensions from the catalytic converter H-pipe. Do not discard the OEM fasteners, as they will be re-used to mount the new system. Remove the mufflers and tailpipes from the OEM rubber insulators. Do not damaged the OEM rubber insulators, as they will be re-used to mount the new system.

Step 2: Begin installation of the new exhaust system by bolting on the new front extension pipes using the supplied flanges and the OEM fasteners, as shown in the diagram. Leave all fasteners loose for final adjustment. Fit the tailpipes' welded hangers into the OEM rubber insulators. Install the mufflers using the supplied clamps. The notched inlet end of the muffler will fit over the outlet end of the front extension pipes, and the notched inlet of the tailpipes will fit over the outlet end of the muffler.

Step 3: With all components mounted loosely, adjust the system for overall aesthetics and clearance of frame & body panels. (MAGNAFLOW recommends at least 1/2" of clearance between the exhaust system and any body panels to prevent heat-related body damage or fire.)

Step 4: Once a final position is chosen for the new system, evenly tighten all fasteners from front to rear. Inspect all fasteners after 25-50 miles of operation and re-tighten if necessary.

*MAGNAFLOW Performance Exhaust recommends professional installation on all their products

Technical support: 1-800-959-9226 ext. 4500