



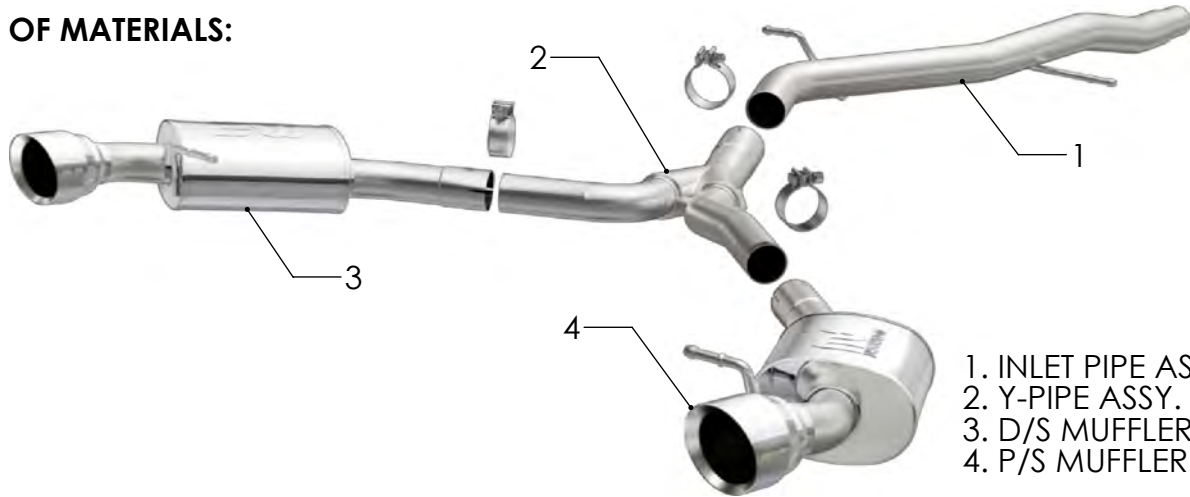
INSTALLATION INSTRUCTIONS



2018 AUDI A5 2.0L

PART NO. 19390

BILL OF MATERIALS:



- 1. INLET PIPE ASSY.
- 2. Y-PIPE ASSY.
- 3. D/S MUFFLER ASSY.
- 4. P/S MUFFLER ASSY.



WEAR SAFETY GLASSES



READ INSTRUCTIONS THOROUGHLY BEFORE INSTALLING PRODUCT



SPRAY LUBRICANT

To ease removal of existing exhaust components (especially on older vehicles) spray penetrating lubricant on all fasteners and hangers/insulators that will be loosened or removed and let soak before disassembly.

HARDWARE KIT:

- 1. [2] 2.50" Clamp
- 2. [1] 3.00" Clamp

MINIMUM REQUIRED TOOLS:



14, 15 mm



Hanger Tool (Or Pry Bar)

MAGNAFLOW RECOMMENDS PROFESSIONAL INSTALLATION ON ALL THEIR PRODUCTS

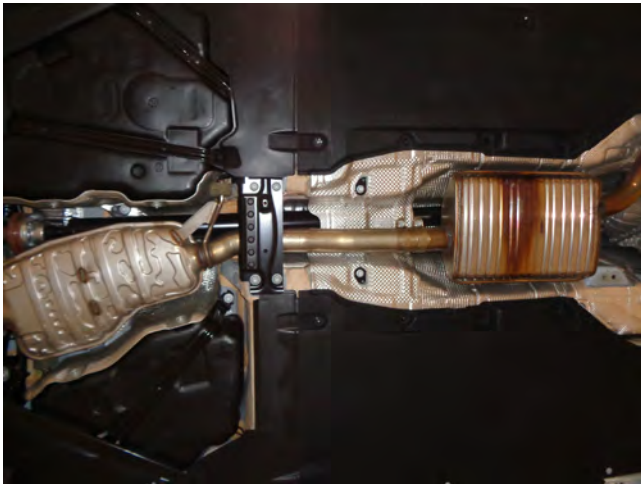


WARNING: When working on, under, or around any vehicle exercise caution. Please allow the vehicle's exhaust system to cool before removal, as exhaust system temperatures may cause severe burns. If working without a lift always consult vehicle manual for correct lifting specifications. Always wear safety glasses and ensure a safe work area. Serious injury or death could occur if safety measures are not followed.

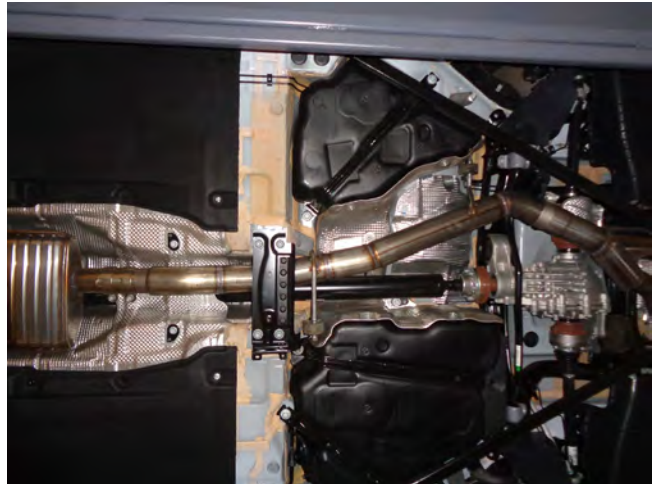
ATTENTION: Always install any supplied band or U-bolt clamps to the proper torque specifications of 40-45 ft-lb for band clamps and 30-35 ft-lb for U-bolt clamps. Over tightening will result in the clamps breaking and will NOT be warranted by MagnaFlow.

MAGNAFLOW: 1901 Corporate Centre Dr - Oceanside, CA 92056 | 1(800)990-0905
Technical Support: 1(800) 959-9226 | Email: moreinfo@magnaflow.com

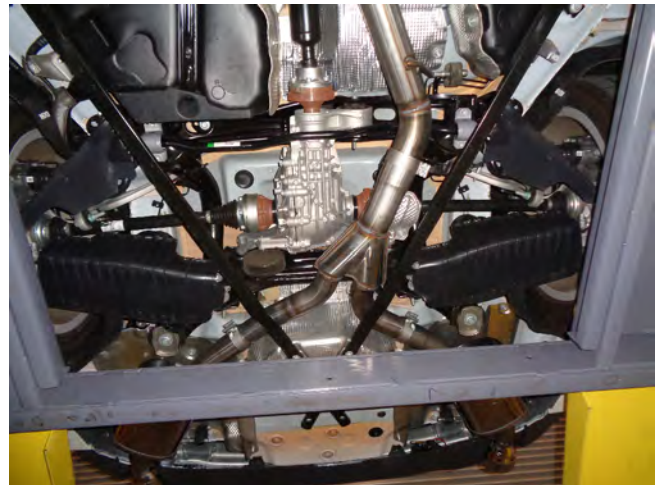
INSTALLATION INSTRUCTIONS



Step 1: To remove the OE system you will need to remove the cross brace located between the underbody resonators and the two braces located near the rear mufflers. Begin by loosening the band clamp attaching the exhaust between the OE resonators. Working front to rear disengage all welded hangers from the rubber insulators. The OE exhaust system can now be removed in one piece. Be sure to retain all mounting hardware as it will be needed to install your new MAGNAFLOW system

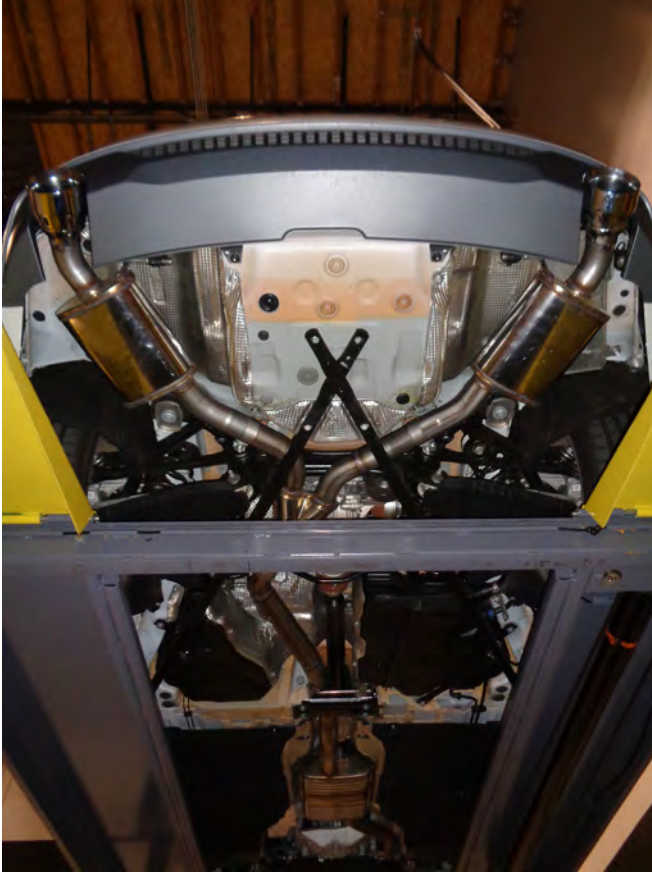


Step 2: Begin installing your new system by loosely attaching the Inlet Pipe Assembly by inserting it into the OE band clamp. Engage both hangers to the rubber insulators.



Step 3: Next fasten the Y-Pipe Assembly to the Inlet Assembly using the supplied 3.00" clamp.

INSTALLATION INSTRUCTIONS



Step 4: Finish by attaching the driver and passenger side Muffer Assemblies to the Y-Pipe Assembly using the supplied 2.50" clamps and engaging the hangers to the rubber insulators. Reattach all braces.



Step 5: Once a final position has been chosen for the new exhaust system, evenly tighten all clamps from front to rear using the torque specifications on page one of these instructions. Inspect all fasteners after 25-50 miles for operation and re-tighten if necessary.