

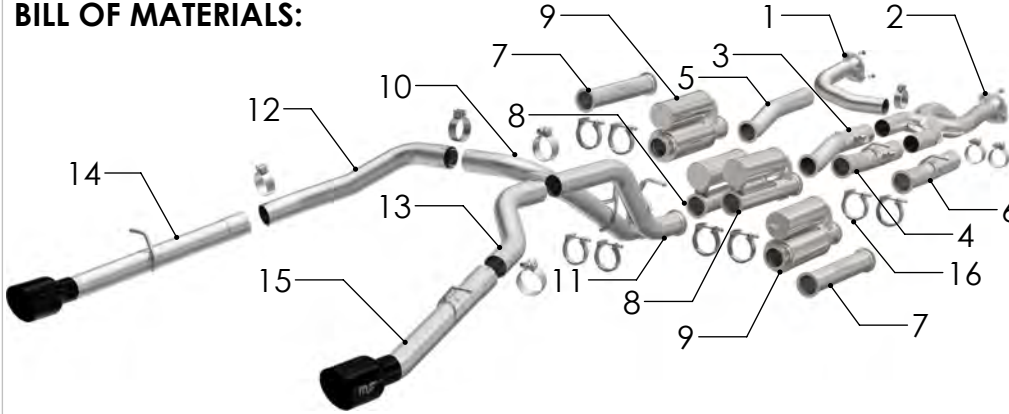


# INSTALLATION INSTRUCTIONS



2025 RAM RHO 3.0L TT | PART NO. 19691

## BILL OF MATERIALS:



1. INLET PIPE ASSY D/S.
2. X-PIPE ASSY.
3. MID PIPE ASSY D/S.
4. MID PIPE ASSY P/S.
5. MID PIPE VALVE DELETE D/S
6. MID PIPE VALVE DELETE P/S
7. [2] RACE DELETE.
8. [2] SPEQ RESONATOR
9. [2] STREET RESONATOR
10. OVER AXLE ASSY D/S
11. OVER AXLE ASSY P/S
12. TAIL EXTN. PIPE D/S.
13. TAIL EXTN. PIPE P/S.
14. TAIL PIPE ASSY D/S.
15. TAIL PIPE ASSY P/S.
16. [4] 3.00 V-BAND

## SHOP SUPPLIES:



WEAR SAFETY GLASSES



READ INSTRUCTIONS THOROUGHLY BEFORE INSTALLING PRODUCT



SPRAY LUBRICANT

To ease removal of existing exhaust components (especially on older vehicles) spray penetrating lubricant on all fasteners and hangers/insulators that will be loosened or removed and let soak before disassembly.

## HARDWARE KIT:

1. [2] 3.00 V-Band clamp
2. [7] 3.00 Torca clamp
3. [4] Bolt M10-1.50x35mm
4. [4] Washer M10
5. [4] Nut M10-1.25

## MINIMUM REQUIRED TOOLS:



Saw (Or Other Cutting Tool)



13,15,16,18mm



Hanger Tool (Or Pry Bar)

## MAGNAFLOW RECOMMENDS PROFESSIONAL INSTALLATION ON ALL THEIR PRODUCTS



**WARNING:** When working on, under, or around any vehicle exercise caution. Please allow the vehicle's exhaust system to cool before removal, as exhaust system temperatures may cause severe burns. If working without a lift always consult vehicle manual for correct lifting specifications. Always wear safety glasses and ensure a safe work area. Serious injury or death could occur if safety measures are not followed.

**ATTENTION:** Always install any supplied band or U-bolt clamps to the proper torque specifications of 40-45 ft-lb for band clamps and 30-35 ft-lb for U-bolt clamps. Over tightening will result in the clamps breaking and will NOT be warranted by MagnaFlow.

MAGNAFLOW: 1901 Corporate Centre Dr - Oceanside, CA 92056 | 1(800)990-0905

Technical Support: 1(800) 959-9226 | Email: moreinfo@magnaflow.com

## INSTALLATION INSTRUCTIONS



**Step 1:** Begin removal of your OE system by first removing the nuts at both inlet flange junctions.



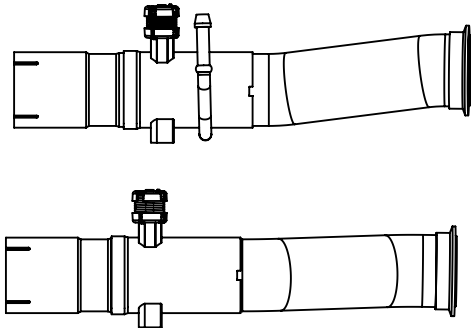
**Step 2:** To remove the system you will need to either cut the OE system with a Sawzall or similar cutting tool, or remove the rear shock absorber attached to the rear differential. The system may now be removed.



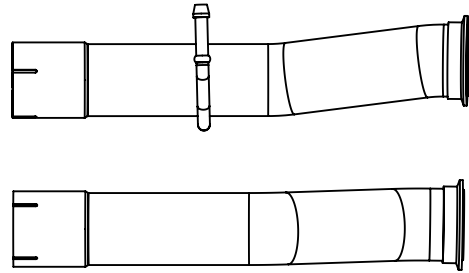
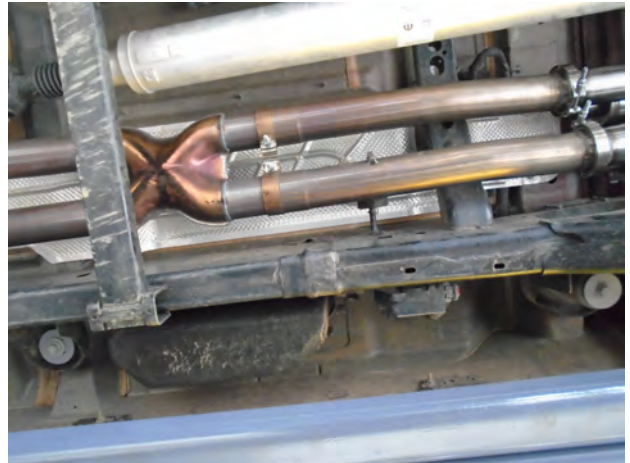
**Step 3:** Begin installing your new system by first loosely attaching the Inlet Pipe Assembly to the catalytic converter outlet flange using the supplied hardware. Next, attach the X-Pipe Assembly by slipping the Inlet Pipe Assembly outlet to the X-Pipe Assembly inlet. Loosely secure using the supplied clamp. loosely attach the X-Pipe Assembly inlet flange to the catalytic converter outlet using the supplied hardware.

## INSTALLATION INSTRUCTIONS

**Step 4:** MagnaFlow supplies two midpipe configurations, a standard OE Valve replacement and Valve delete versions.



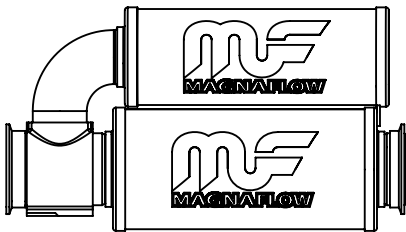
**OE Valve Mid Pipes**



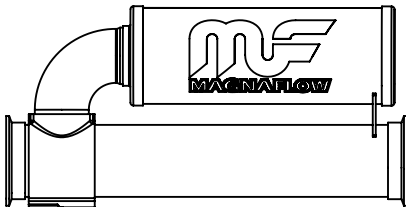
**Valve Delete Mid Pipes**

## INSTALLATION INSTRUCTIONS

**Step 5:** MagnaFlow supplies this kit with multiple build options



**STREET:** Aggressive and throaty growl mixed with NDT (non drone technology) chambered exhaust tones for a street performance sound.



**SPEQ:** Even more aggressive and throaty growl mixed with NDT (non drone technology) chambered exhaust tones for a street performance sound.



**RACE:** Straight pipe muffer delete with rasp and pop reminiscent of chambered exhaust.



**Step 6:** Once an xMOD option has been chosen, loosely attach the assembly to the flange ring outlet of the Mid Pipe Assemblies using the supplied V-Band clamps. Install the Over Axle Assemblies in a similar fashion.

**NOTE:** There are 2, spare V-Band clamps in the hardware kit.



**Step 7:** Loosely install the two Tailpipe Extension Pipes using the supplied clamps, Then Loosely attach each Tail Pipe Assembly to the Tailpipe Extension Pipes using the supplied clamps. Locate the welded hangers to the rubber isolators.

## INSTALLATION INSTRUCTIONS



**Step 8:** Once a final position has been chosen for the new exhaust system, evenly tighten all clamps and fasteners, from front to rear, using the torque specifications on page one of the instructions. Inspect all fasteners after 25-50 miles of operation and re-tighten if necessary.

# IMPORTANT



## Need assistance?

Scan code using your mobile device to visit our help center for instant answers to common questions

## Warranty &

## Returns

For inquiries about warranty and returns, or to start a return, contact MagnaFlow directly:



+1 800 959 9226



[moreinfo@magnaflow.com](mailto:moreinfo@magnaflow.com)



[magnaflow.com/pages/contact-us](https://magnaflow.com/pages/contact-us)



[magnaflow.com/a/returns](https://magnaflow.com/a/returns)



MagnaFlow  
3937 Ocean Ranch Blvd  
Oceanside, CA 92056

© MagnaFlow is a registered trademark of Car Sound Exhaust System, Inc.  
All rights reserved.  
ISO 9001:2008 Certified — Registered since 2000